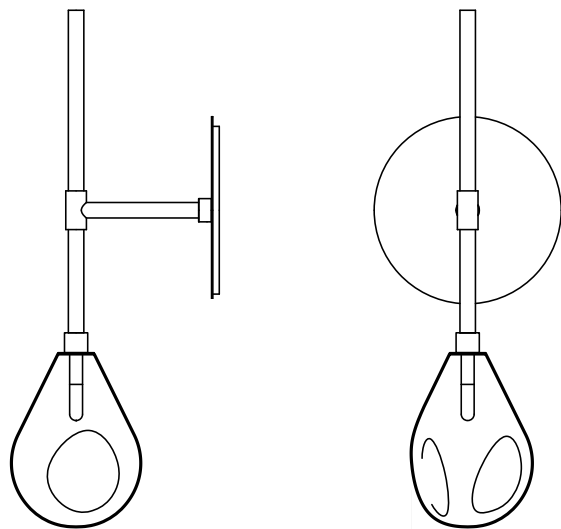


# soop|o mini

Design by  
Ota Svoboda



bomma

bomma.cz

TECHNICAL SHEET  
FOR WALL LIGHT FIXTURES

# SOAP MINI wall

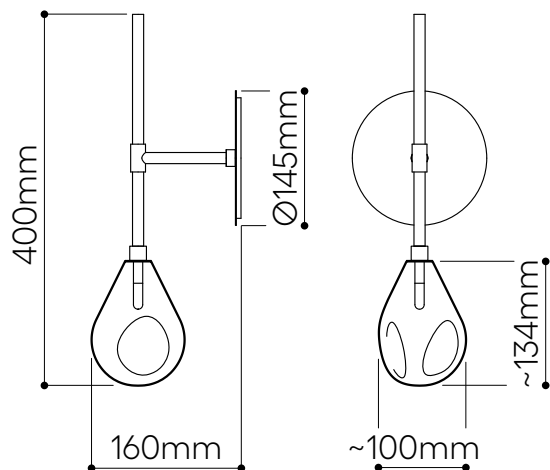
Design by  
Ota Svoboda

## Handmade glass attributes

All Bomma products are hand-made from mouth-blown lead-free crystal. Therefore any small bubbles, non-melts and irregularities in the glass are both proof and a characteristic feature of this traditional craft.

The intensity and color shade of metalcoated glass may vary slightly from product to product. Small dots in the coating, especially visible after the light is on, are not a defect of the product.

When installing and cleaning, touch the coated glass only with the gloves supplied. Failure to do so could cause irreversible damage to the surface. Never use liquid solutions or chemical cleaners to clean the metal-coated glass. Wipe the surface with a soft, dry cloth only.



## LIGHTING DESCRIPTION

Size	100 × 160 × 400 mm 3,94 × 6,3 × 15,75 inch
Weight	+ - 1,25 kg / 2,76 lb
Glass	mouth-blown lead-free crystal in clear, frosted or with metal coating in silver, gold and blue
Mounting	brushed gold (brushed brass)
Recommended junction box	EU - A.UK1-SH (72mm dia, 60mm min. depth) UL/The Americas - electrical box, Octagon, 4 X 4 inch (1,4 inch min. depth)
Protection	IP 20
Nominal voltage	220-240V / A.C. 50 hz (EU) 110-120 V / A.C. 60 Hz (USA)
Class	II. EU / I. USA

## LIGHT SOURCE

Type	G4, 1,2W LED, 100 lm
Base	G4 (EU) / G4 (USA)
Voltage	12VDC, 100mA
Temperature	2700 K
Color index	RA 90+

Dimming EU/Other versions - non-dimmable  
UL/The Americas - TRIAC, ELV

## TRANSFORMER

Primary circuit	100-240V, 50/60 Hz,
Secondary circuit	12VDC, +-0,5A, 5W

## PACKAGING

Material	Cardboard
Size	220 × 220 × 250 mm 8,6 × 8,6 × 9,8 inch

Origin: traditionally produced in the Czech Republic  
Intellectual property license holder: Bomma Czech Republic (EU)  
Represented by BMRC group s.r.o.

CERTIFICATES

